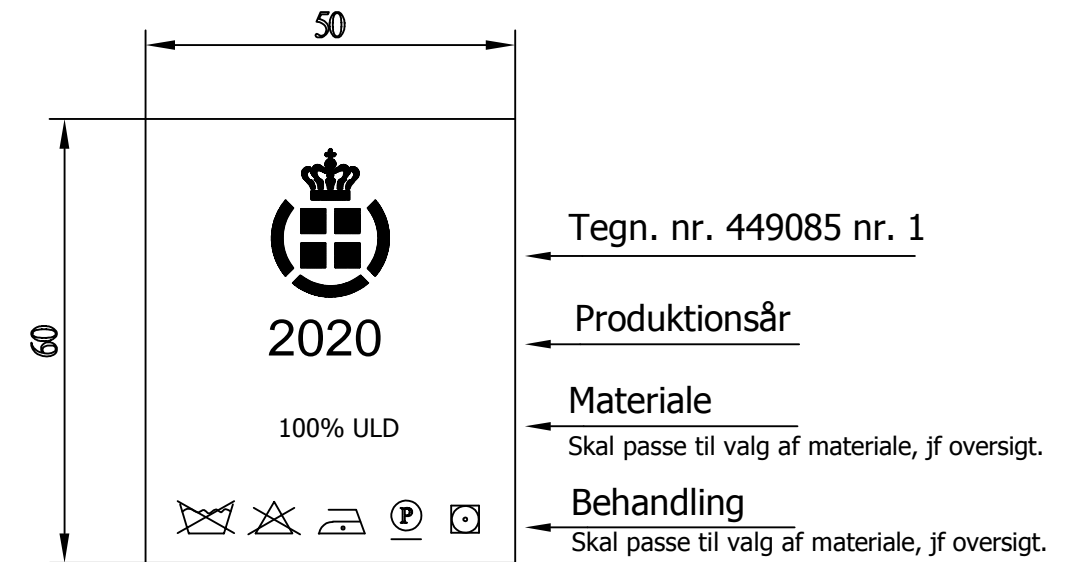


THE COPYRIGHT OF THIS DRAWING IS THE PROPERTY OF THE KINGDOM OF DENMARK. THE DRAWING IS ISSUED FOR THE PURPOSE ONLY FOR WHICH IT IS SUPPLIED ON THE EXPRESS TERMS THAT IT IS NOT TO BE COPIED IN WHOLE OR IN PART, USED OR DISCLOSED TO OTHERS EXCEPT AS AUTHORIZED BY THE DANISH DEFENCE, ACQUISITION & LOGISTICS ORGANIZATION.

Nr.	Materialer	Behandlingsforskrift
1	100% uld	
2	100% uld	
3	45% uld 55% polyester	
4	65% uld 35% polyester	
5	100% bomuld (hvid)	
6	100% bomuld (farvet)	
7	35% bomuld 65% polyester	
8	35% bomuld 65% polyester	
9	50% bomuld 50% polyester	
10	50% bomuld 50% polyester	
11	70% bomuld 30% polyester	
12	90% bomuld 10% polyamid	
13	100% polyamid	
14	Polyamid - polyester	
15	PVC - viskose	
16	80% uld 20% polyester	
17	75% bomuld 25% polyester	
18	75% polyamid 25% pu	
19	100% polyester	
20	NOMEX	
21	70% polyamid 30% pu	
22	50% bomuld 50% polyamid	
23	100% polyamid	
24	100% bomuld	

Eksempel på vævet etiket



Sort tekst på lys bund

Etiketten fremstilles af satinvævet polyester i farven lysegrå. Symbolerne, skal være i farven sort og produktionsår have en højde på 7 mm. Etiketten skal stadig være tydelig og holdbar efter 20 gange vask ved 90°C. Mærkningen skal være i overensstemmelse med EN ISO 23758

DANISH MINISTRY OF DEFENCE ACQUISITION AND LOGISTICS ORGANISATION	FIRST ANGLE PROJECTION	DRAWN BY: FMI-LU-VDD06 CONTROLLED BY: FMI-LU-VDD04
	NSN: 8405226344550	APPROVED BY: FMI-LA-WUD14
TITLE: Etiket til ridebuks	SIZE: A3 SCALE: - SHEET: 1/1 DATE: -	USED ON: -
DRAWING NUMBER: TT35105	EDITION: 1	